



河南睿企机械设备有限公司
HENAN RICHI MACHINERY CO.,LTD

MACHINERY RICHI

CONTACT US

 Wood-pellet-plant.com

 +86-15003890639

 sales@cnrichi.cn

 +86-15003890639

**PROFESSIONAL PRODUCTION
PELLET MACHINERY**



Straw/Alfalfa/Husk/Grass Crusher

model: 9FB56

Capacity: 0.3-3t/h

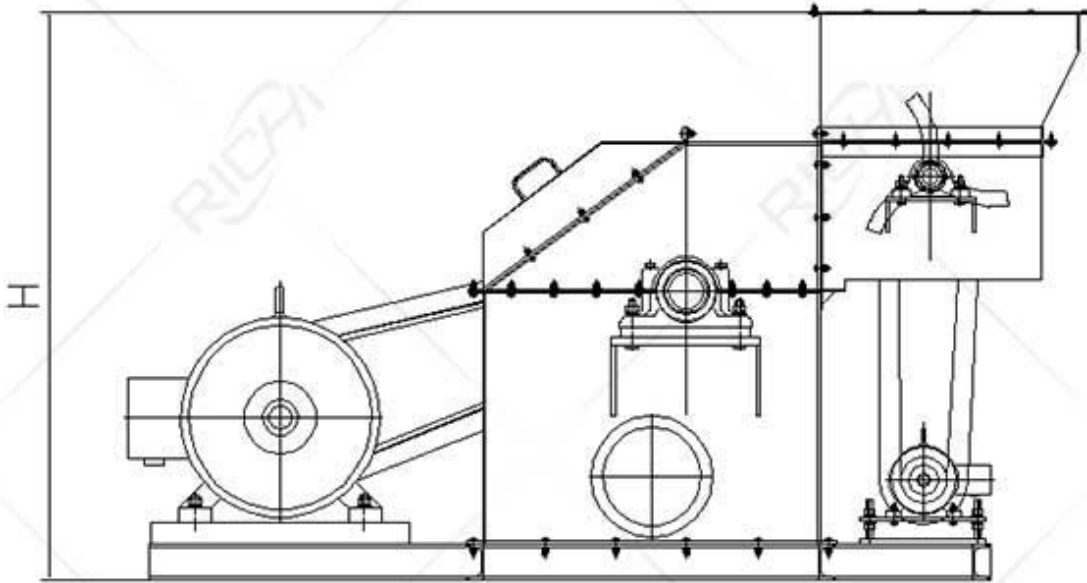
Power: 22-93kw

Certification:CE & SGS & ISO



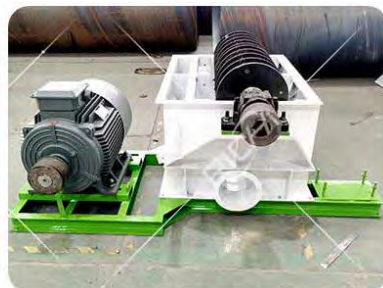
Overview

Straw/Alfalfa/Husk/Grass Crusher is mainly suitable for crushing lighter materials such as straw, husk and alfalfa, etc. Due to the special nature of the raw materials, the series of crushers have been specially designed with forced feeders, increased the crushing chamber, thus handling lighter alfalfa, grass, straw and etc. RICHI crushing machine is a fine-stage hammer mill with a hard surface material on the hammer head surface, which greatly prolongs the service life. Rotor motor and the mill installed in the same heavy-duty base, using the pin coupling direct transmission, rotor balancing efficacy through, the work can be positive and negative.



Features

1. Special design for crushing grass, straw, etc light materials.
2. With force feeding part, and bigger crushing room.
3. Spindle speed: 2970r/min; Siemens motor, SKF bearings
4. The series is fine degree type hammer mill, mesh aperture 2.0-6.0mm is better;
5. Hammer's face hard surfacing materials, extended service life;
6. Rotor motor and the mill installed in the same heavy-duty base, using the pin coupling Direct transmission, rotor balancing efficacy through, the work can be positive and negative.



Parameter

Model	9FB56*40	9FB56*60	9FB56*80	9FB56*100	9FB56*120
Power	22kw	30/37kw	37kw	55kw	93kw
Capacity	0.3-0.8t/h	0.5-1.2t/h	0.6-1.5t/h	1-2t/h	1.5-3t/h